

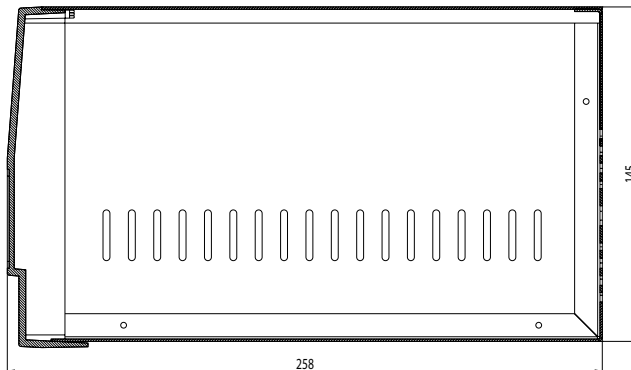
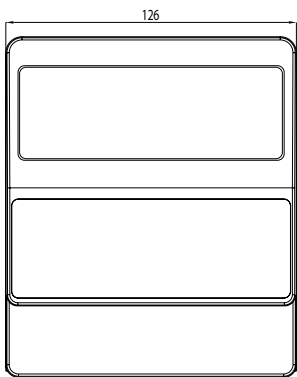


POWER SUPPLY ENCLOSURE

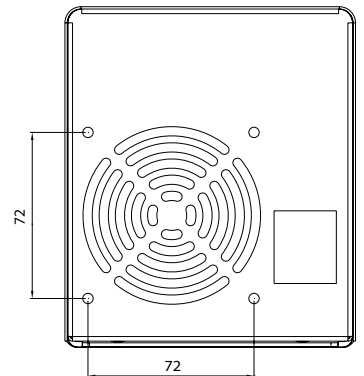


DT-410 126 x 258 x 145 mm **POWER SUPPLY ENCLOSURE**

DT-410-K	CLOSED FRONT PANEL
DT-410-A	OPEN FRONT PANEL
MATERIAL	1 mm METAL SHEET
PANEL	ABS
COLOR	RAL 7035 LIGHT GRAY
PACKAGING	1 PCS/BOX



• Perforated for power input and fan



METAL HANDLE
 A-97 185 mm Axial distance
 A-98 132 mm Axial distance

