

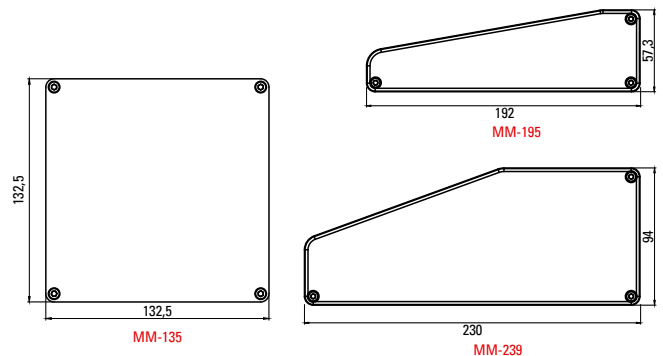
## MODULAR METAL ENCLOSURES

- 1,5 mm aluminium sheet
- High quality bending with special die
- Electrostatic powder coating
- Ventilation holes
- MM-239 now with metal side cap option **NEW**

Code	Width (A)	Height (C)	Length (B)
MM-195	192	100-150-200-300-400	57
MM-239	230	100-150-200-300-400	94
MM-135	132,5	60-100-150-200	132,5
MM-228	220	100-150-200-250	88,1
MM-255	250	120-150-200-250	43,65

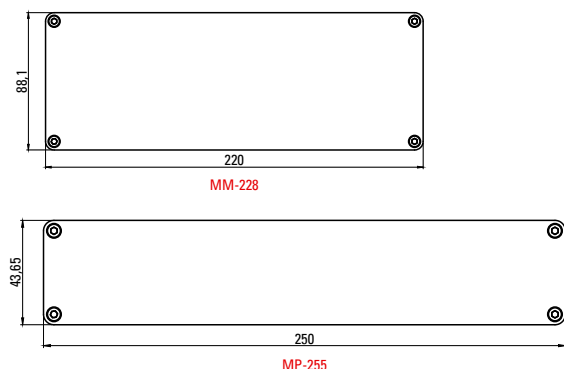
### MM-195 - MM-239

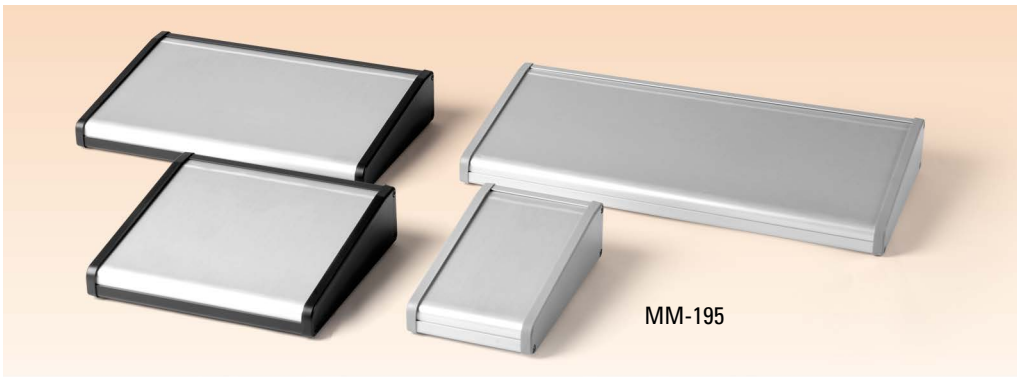
MATERIAL	ALUMINIUM- ABS
BLACK	Side caps: Black ABS Profiles: Black Electrostatic Powder Coated Aluminium Base and Back Panels: 1,5 mm Black ESPC Aluminium Top Panels: 1,5 mm Natural Anodized Aluminium Side Caps: RAL 7035 Light Gray ABS
NATURAL	Profiles: Natural Anodized Aluminium Base and Top Panels: 1,5 mm Natural Anodized Aluminium



### MM-135 - MM-228 & MM-225

MATERIAL	ALUMINIUM
BLACK	Profiles: Black Electrostatic Powder Coated Aluminium Base and Top Panels: 3 mm Black ESPC Aluminium Side Panels: 1,5 mm Black ESPC Aluminium Profiles Natural Anodized Aluminium
NATURAL	Base and Top Panels: 3 mm Natural Anodized Aluminium Side Panels: 1,5 mm Natural Anodized Aluminium





<b>MM-195-10</b>	192 x 57 x 100 mm
<b>MM-195-15</b>	192 x 57 x 150 mm
<b>MM-195-20</b>	192 x 57 x 200 mm
<b>MM-195-30</b>	192 x 57 x 300 mm
<b>MM-195-40</b>	192 x 57 x 400 mm



<b>MM-239-10</b>	230 x 94 x 100 mm
<b>MM-239-15</b>	230 x 94 x 150 mm
<b>MM-239-20</b>	230 x 94 x 200 mm
<b>MM-239-30</b>	230 x 94 x 300 mm
<b>MM-239-40</b>	230 x 94 x 400 mm



<b>MM-135-6</b>	132,5 x 132,5 x 60 mm
<b>MM-135-10</b>	132,5 x 132,5 x 100 mm
<b>MM-135-15</b>	132,5 x 132,5 x 150 mm
<b>MM-135-20</b>	132,5 x 132,5 x 200 mm



<b>MM-228-10</b>	220 x 88,1 x 100 mm
<b>MM-228-15</b>	220 x 88,1 x 150 mm
<b>MM-228-20</b>	220 x 88,1 x 200 mm
<b>MM-228-25</b>	220 x 88,1 x 250 mm



<b>MM-255-12</b>	250 x 43,65 x 120 mm
<b>MM-255-15</b>	250 x 43,65 x 150 mm
<b>MM-255-20</b>	250 x 43,65 x 200 mm
<b>MM-255-25</b>	250 x 43,65 x 250 mm