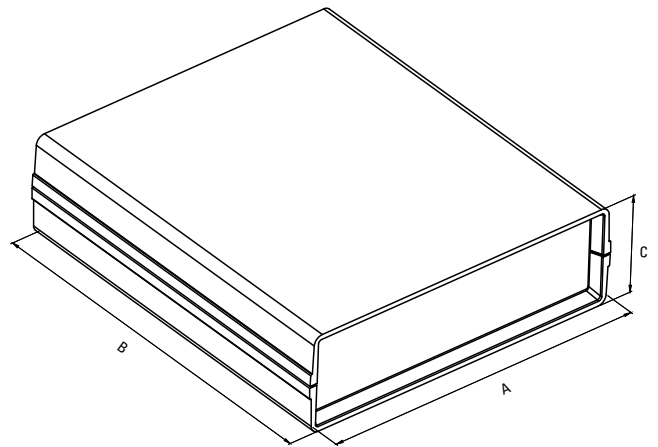


## PLASTIC PROJECT ENCLOSURES

- Material: ABS UL94-HB
- Light gray and black color options
- Low cost
- Removable front and back panels
- Wall mountable with suitable accessories
- Special sloped mounting kit for DT-210 and DT-220



Code	Width (A)	Length (B)	Height (C)	Screws
HH-8080	85	155	30	4 PCS
HH-8082	85	155	45	4 PCS
HH-8282	85	155	60	4 PCS
DT-085	145	85	38	2 PCS
DT-0505	130	138	48	2 PCS
DT-0508	130	138	54	2 PCS
DT-0808	130	138	61	2 PCS
DT-0909	126	137	82	2 PCS
DT-1010	154	174	47	4 PCS
DT-1020	154	174	54	4 PCS
DT-2020	154	174	61	4 PCS
DT-210	166	120	45	4 PCS
Angled mounting kit DT-210-A	166	120	45	4 PCS
DT-220	226	166	60	4 PCS
Angled mounting kit DT-220-A	226	166	60	4 PCS