

## IPEX U.FL PCB Connector

### Model:AC-PCB-UFL

#### 1. Introduction

The U.FL (IPX) is the smallest RF connector that we carry...and it's tiny!

A mated connection only stands 2.5mm high!U.FL is good up to 6GHz.

They are Often times they're used in laptop WiFi cards and embedded systems.

Male U.FL connectors are surface-mount parts soldered directly into the host.

Female connectors are usually manufactured as a cable assembly with a high-quality 1.32mm doubly shielded cable.

Female U.FL connectors rely on pressure from the shape of the connector to keep it secure.

This does form a very tight 'snap in' connection. As a result, female U.FL connectors will wear out after a several connections and will need to be replaced as they aren't generally intended to be connected and disconnected multiple times.

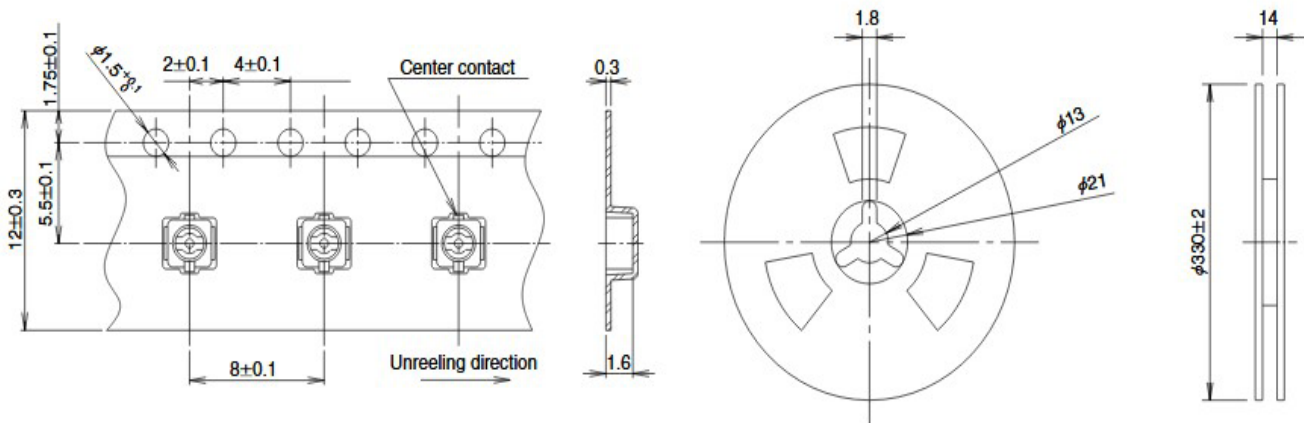


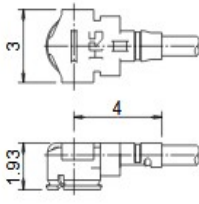
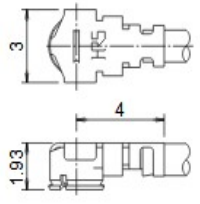
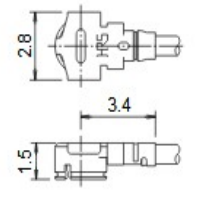
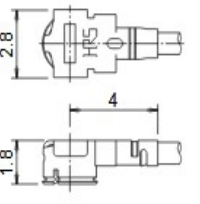
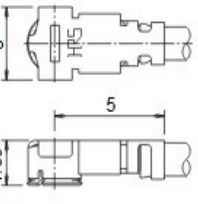
## 2. Specification

### Electrical Specifications

Frequency	DC to 6 GHz
Voltage Rating	AC60Vr.m.s
Nominal Impedance	50 Ohm
VSWR	1.3 MAX at 0.1-3GHz
	1.5 MAX at 3-6GHz
Temperature Range	-40°C to +90°C
MATERIALS	Brass

## 3.Drawing



	U.FL-LP-040	U.FL-LP-066	U.FL-LP(V)-040	U.FL-LP-062	U.FL-LP-088
Part No.					
Mated Height	2.5mm Max. (2.4mm Nom.)	2.5mm Max. (2.4mm Nom.)	2.0mm Max. (1.9mm Nom.)	2.4mm Max. (2.3mm Nom.)	2.4mm Max. (2.3mm Nom.)
Applicable cable	Dia. 0.81mm Coaxial cable	Dia. 1.13mm and Dia. 1.32mm Coaxial cable	Dia. 0.81mm Coaxial cable	Dia. 1mm Coaxial cable	Dia. 1.37mm Coaxial cable
Weight (mg)	53.7	59.1	34.8	45.5	71.7
RoHS	YES				