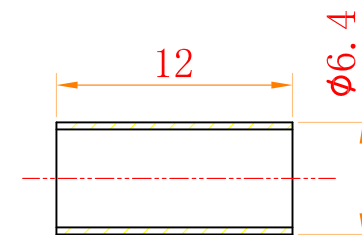
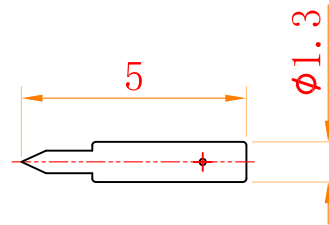
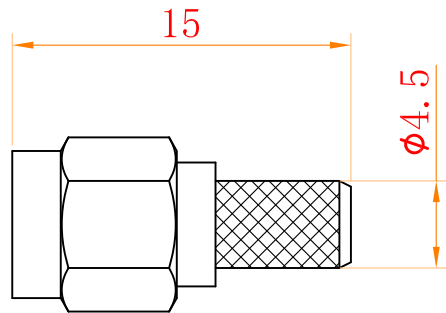


# Drawing

Product Type CONNECTOR	P/N:AC-SMAM -J-58U
---------------------------	-----------------------

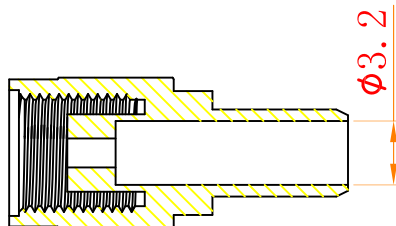


针(镀金)

铜管(镀镍)

## AC-SMAM-J-58U

1. Material: Brass.
2. Finish: Gold.
3. Impedance: 50ohm.
4. Temperature range: -55~+155°C
5. Fre: 0-3G.
6. Weight: 5g.
7. VSWR : ≤1.15
8. Durability(mating) : ≥500(cycles)
9. Working Voltage: 30V



technology: RoHs



ASIAN CREATION COMMUNICATION CO.,LTD  
www.acantenna.com

3									
2			STANDARD	P/No:	AC-SMAM-J-58U	Qty	1PCS	DR.	YJP
1				SPEC		Wet	5g	VENDER	VIVIS
NO.	PARTNAME	DESCRIPTION	MATERIAL	DWG NO.	2013AC/SMAM/J/58U	REV	A	CHKD	BEN
				SHEET	1/1	UNIT	MM	投影法	DAY