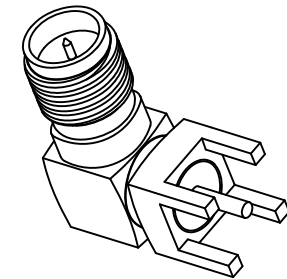
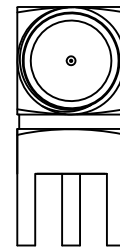
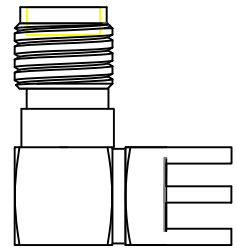
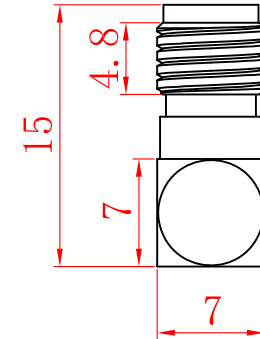
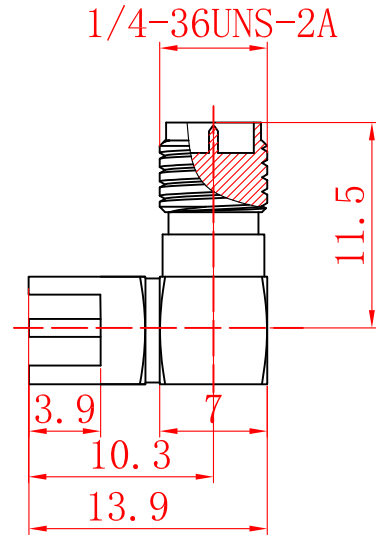
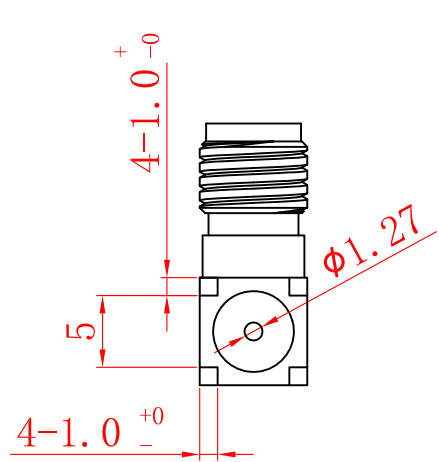


# Drawing

Product Type

**AC-RPSMAF  
-KW**



Technology: RoHS



**ASIAN CREATION COMMUNICATION CO.,LTD**

3										
2			STANDARD	SCALE		Qty	1PCS	DR.	YJP	
1				SPEC		Weg	8g	VENDER	BEN	
NO.	P/N:AC-RPSMAF-W15-PCB		MATERIAL	DWG NO.	AC2011/RPSMAF-W15-PCB		REV	A	CHKD	BEN
				SHEET	1/1	UNIT	MM	投影法	DAY	2023-3-8