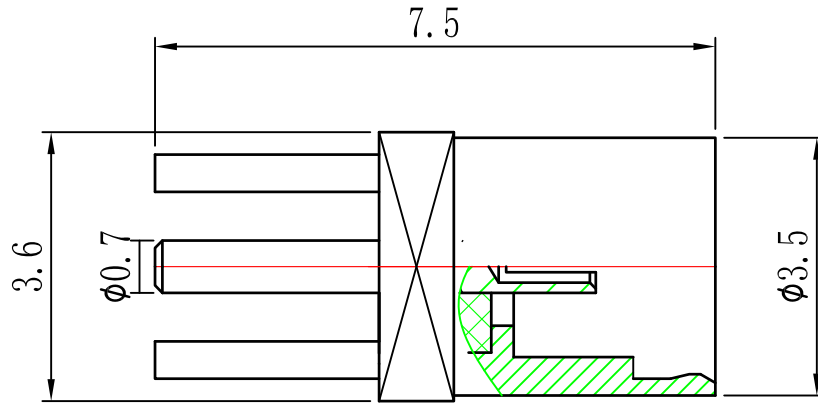


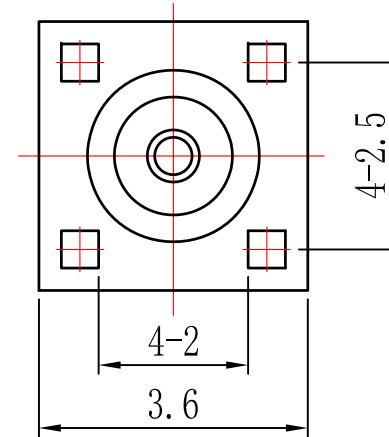
# Drawing

Product Type  
Connector

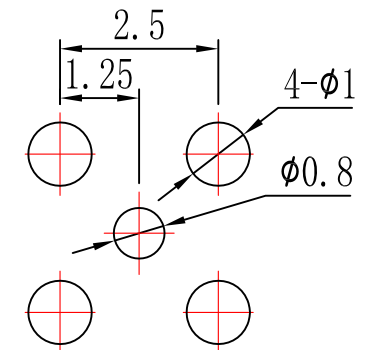
AC-MMCX FJ-  
PCB-180



1



2



Recommend  
Mounting Hole

## TECHNICAL SPECIFICATIONS:

1. Frequency Range DC~6GHz
2. VSWR  $\leq 1.15$
3. Impedance  $50\Omega$
4. Temp.range  $-55\sim+155^{\circ}\text{C}$
5. Durability(mating)  $\geq 500$ 次(cycles)

Techology: RoHs



ASIAN CREATION COMMUNICATION CO.,LTD  
WWW.ACANTENNA.COM

3										
2			STANDARD	P/No:	AC-MMCX-PCB-180-B	Qty	1PCS	DR.	YJP	
1				SPEC		Wet	3g	VENDER	VIVIS	
NO.	PARTNAME	DESCRIPTION	MATERIAL	DWG NO.	AC20120503MMCX-PCB/B	REV	A	CHKD	BEN	
				SHEET	1/1	UNIT	MM	投影法	DAY	30-09-2022