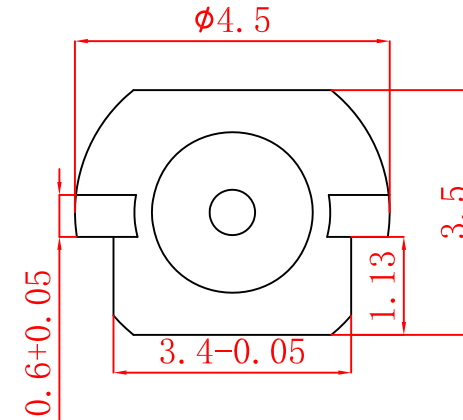
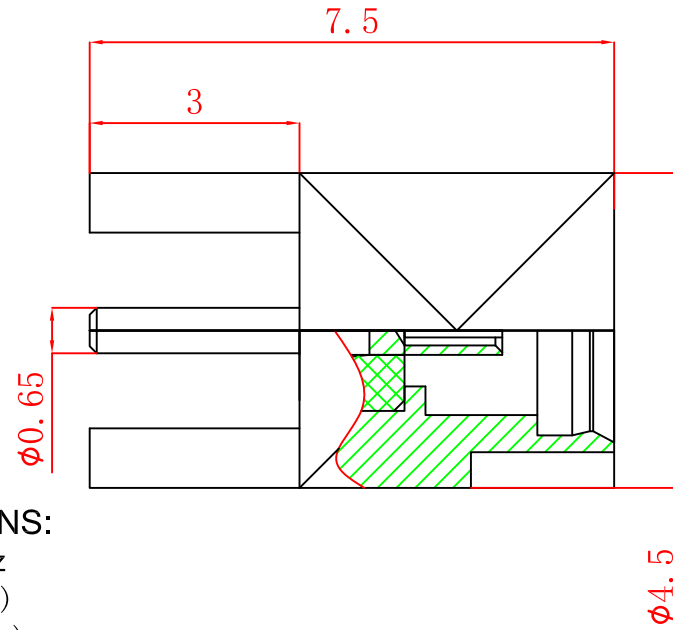


Drawing

Product Type
Connector

AC-MMCX F-
PCB-180-75



TECHNICAL SPECIFICATIONS:

1. Frequency Range DC~3GHz
2. VSWR ≤ 1.2 (0~1GHz)
 ≤ 1.35 (1~3GHz)
3. Impedance 50Ω
4. Temp. range $-55\sim+125^{\circ}\text{C}$
5. Durability(mating) ≥ 500 次(cycles)

Techology: RoHs



ASIAN CREATION COMMUNICATION CO.,LTD
WWW.ACANTENNA.COM

3									
2			STANDARD	P/No:	AC-MMCX-PCB-180-C	Qty	1PCS	DR.	YJP
1				SPEC		Wet	3g	VENDER	VIVIS
NO.	PARTNAME	DESCRIPTION	MATERIAL	DWG NO.	AC2013/MMCX-PCB/C	REV	A	CHKD	BEN
				SHEET	1/1	UNIT	MM	投影法	DAY