

6

5

4

3

2

1

REVISION RECORD			
LR	ED NO.	APPROVED	DATE

01_CONTENT

02_N58

03_SIM/USB/SD

04_KEY/LED

05_INTERFACE

06_POWER/SERIAL

07_FLASH

COMPANY: neoway

TITLE: N58_Mini_EVB_SCH_V2.0

DESIGNER: Tian Tian	DATE: 20200420
CHECKED:	DATE:
QUALITY CONTROL:	DATE:
RELEASED:	DATE:

CODE:	SIZE: D	DRAWING NO.:	REV:
SCALE:		SHEET: 1 of 7	

D

D

C

C

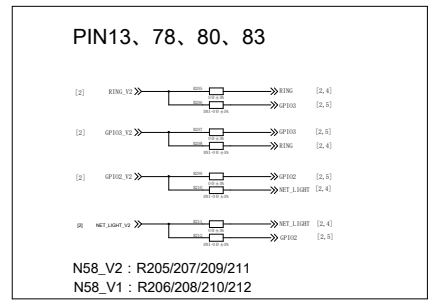
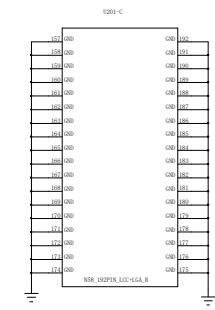
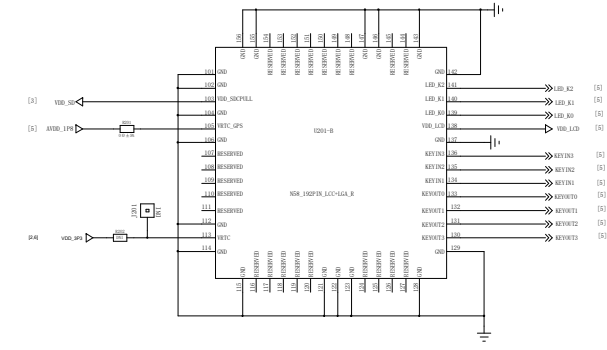
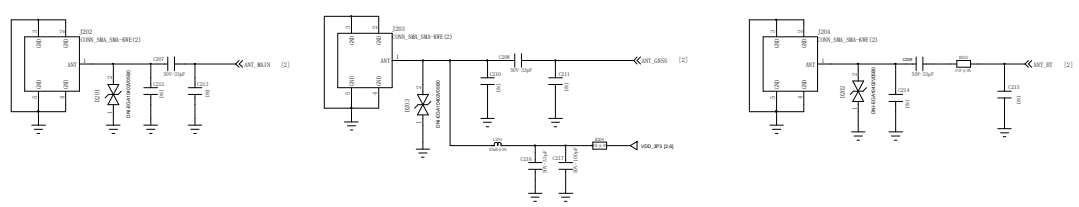
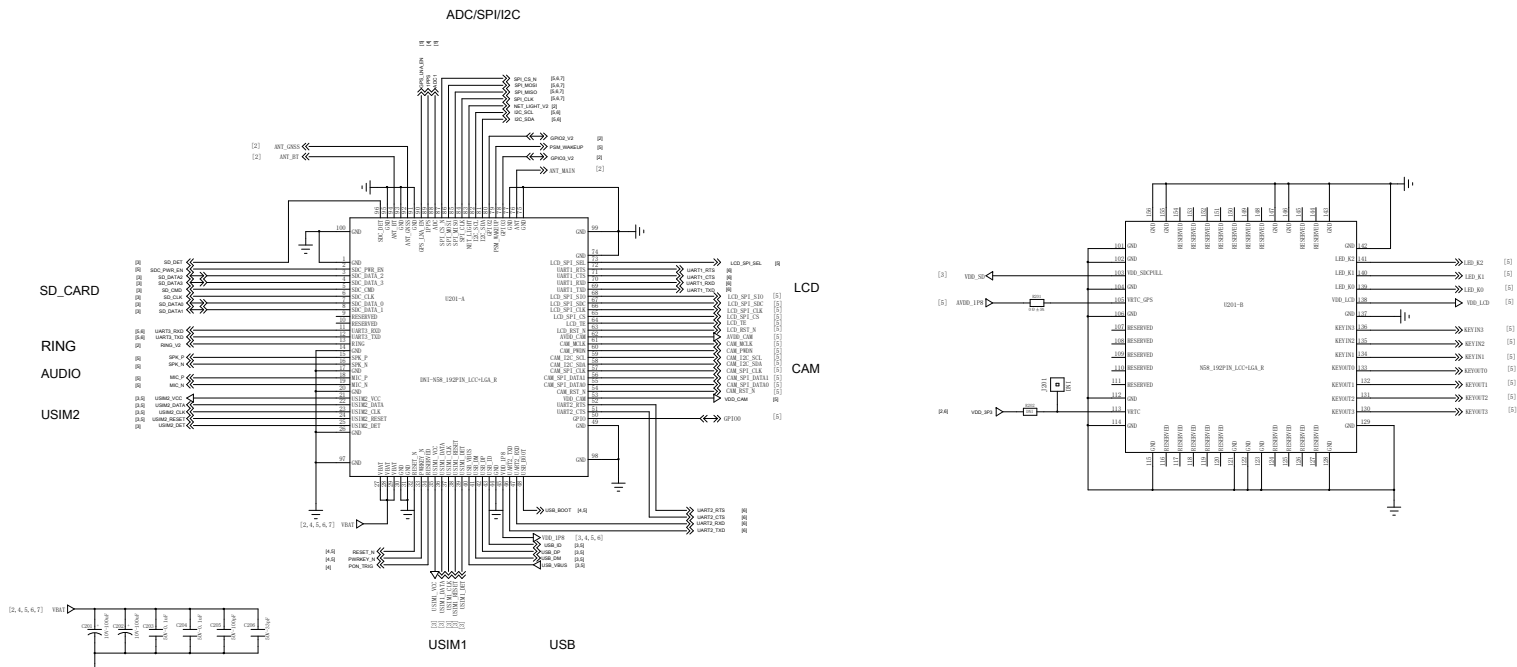
B

B

A

A

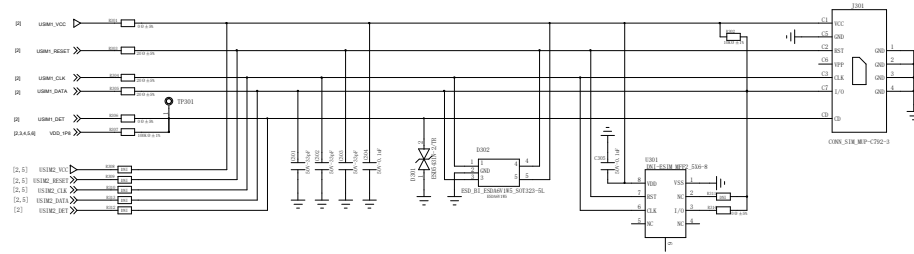
REVISION HISTORY			
LR	REV. NO.	APPROVED	DATE



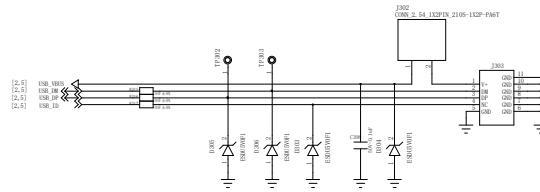
DESIGNER: Tian Tian		DATE: 20200420		FORMNO: neoway			
CHECKED:		DATE:		TITLE: N58_Mini_EVB_SCH_V2.0			
QUALITY CONTROL:		DATE:		CODE: D	SIZE:	DRAWING NO:	REV:
RELEASED:		DATE:		SCALE:		SHEET: 2 of 7	

REVISION RECORD			
LR	REV. NO.	APPROVED	DATE

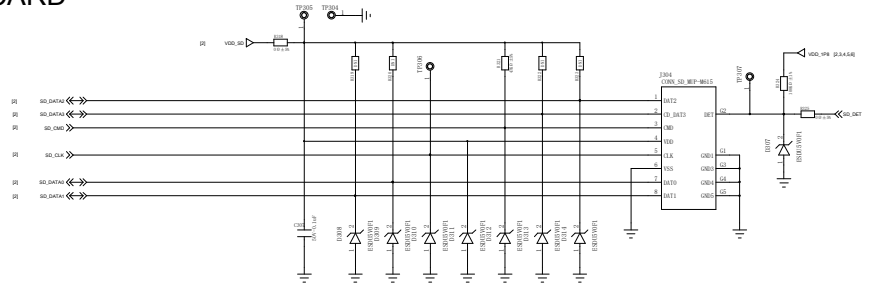
USIM



USB



SD_CARD

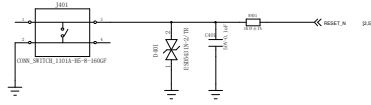


FORM NO: neoway			
TITLE: N58_Mini_EVB_SCH_V2.0			
CODE: D	SIZE:	DRAWING NO:	REV:
SCALE: 3 of 7			REV:

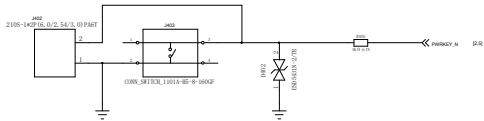
DESIGNER: Tian Tian	DATE: 20200420
CHECKED:	DATE:
QUALITY CONTROL:	DATE:
RELEASED:	DATE:

REVISION RECORD			
LR	REV. NO.	APPROVED	DATE

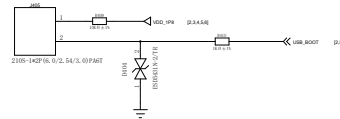
RESET



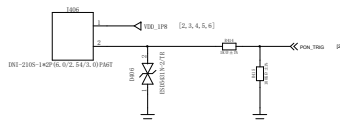
PWRKEY



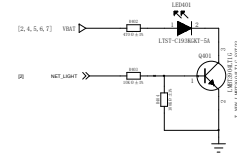
USB_BOOT



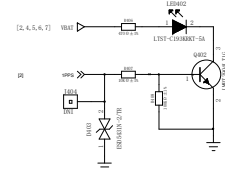
PON_TRIG



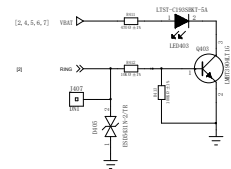
LED_NET_G



LED_1PPS_R

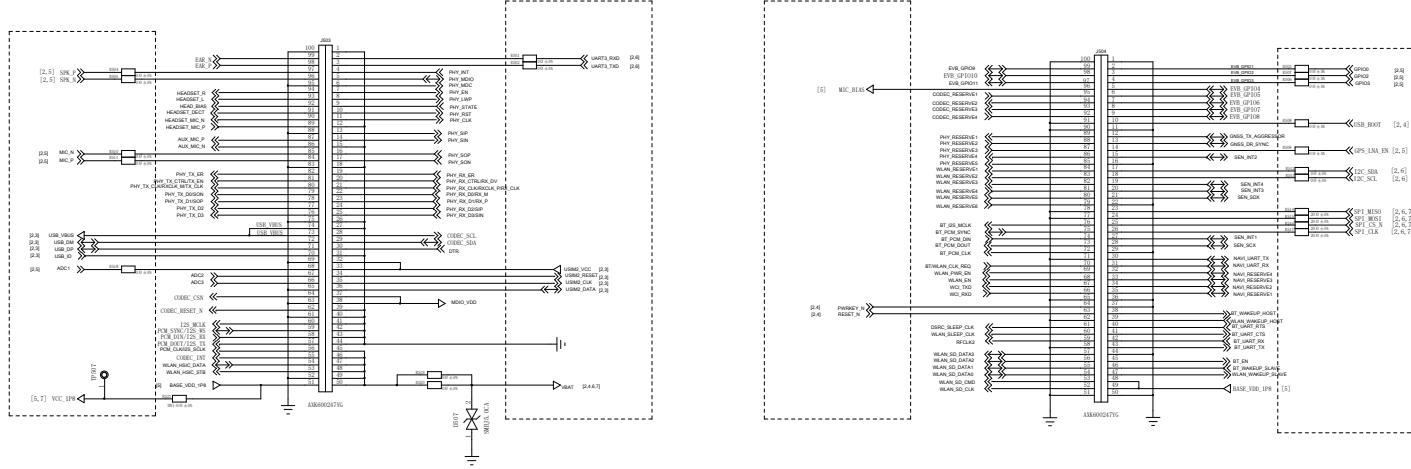


LED_RING_B



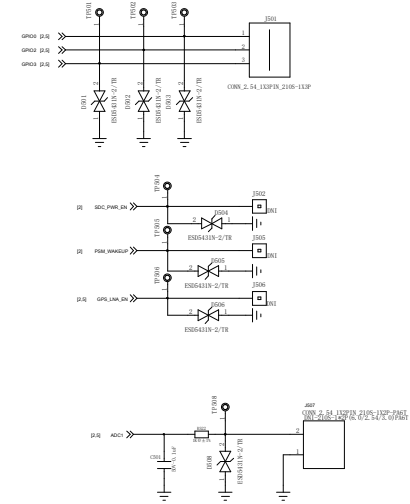
FORM NO: neoway			
TITLE: N58_Mini_EVB_SCH_V2.0			
DESIGN: Tian Tian	DATE: 20200420	CODE: D	SIZE: 4 of 7
CHECKED:	DATE:	DRAWING NO:	REV:
QUALITY CONTROL:	DATE:	SCALE:	SHEET: 4 of 7
RELEASED:	DATE:		

CON_BASE



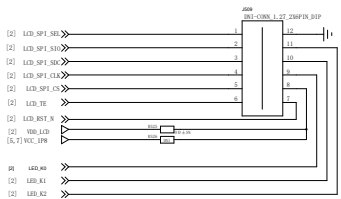
REVISION RECORD			
LR	REV. NO.	APPROVED	DATE

GPIO/ADC

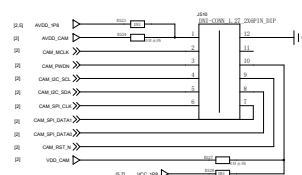


CONN to Auto_Base_Board_EVB

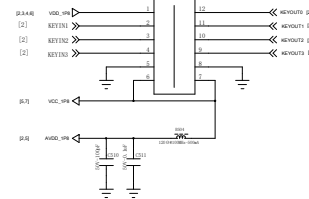
LCD



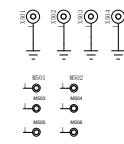
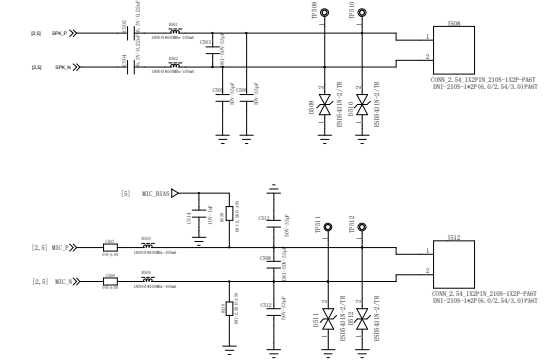
CAM



KEY_PAD



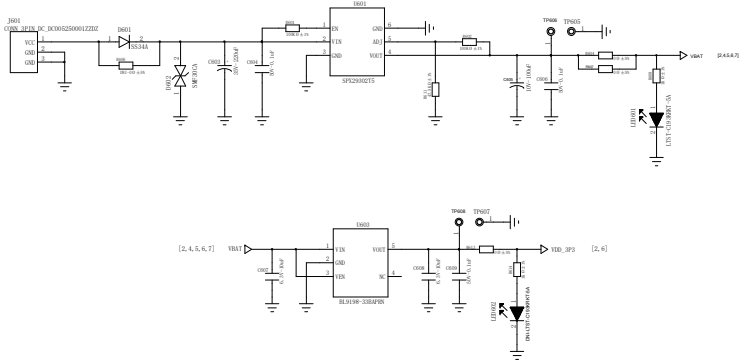
AUDIO



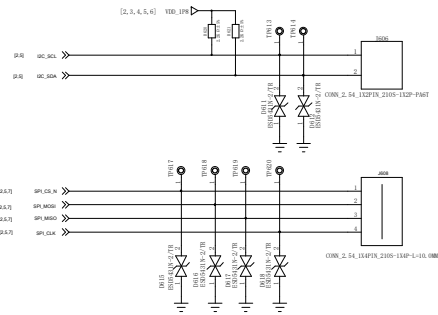
COMPANY: neoway			
TITLE: N58_Mini_EVB_SCH_V2.0			
DESIGNER: Tian Tian	DATE: 20200420	CODE: D	SIZE:
CHECKED:	DATE:	DRAWING NO:	REV:
QUALITY CONTROL:	DATE:	SCALE:	
RELEASED:	DATE:	SHEET: 5 of 7	

REVISION RECORD			
LTB	REV. NO.	APPROVED:	DATE

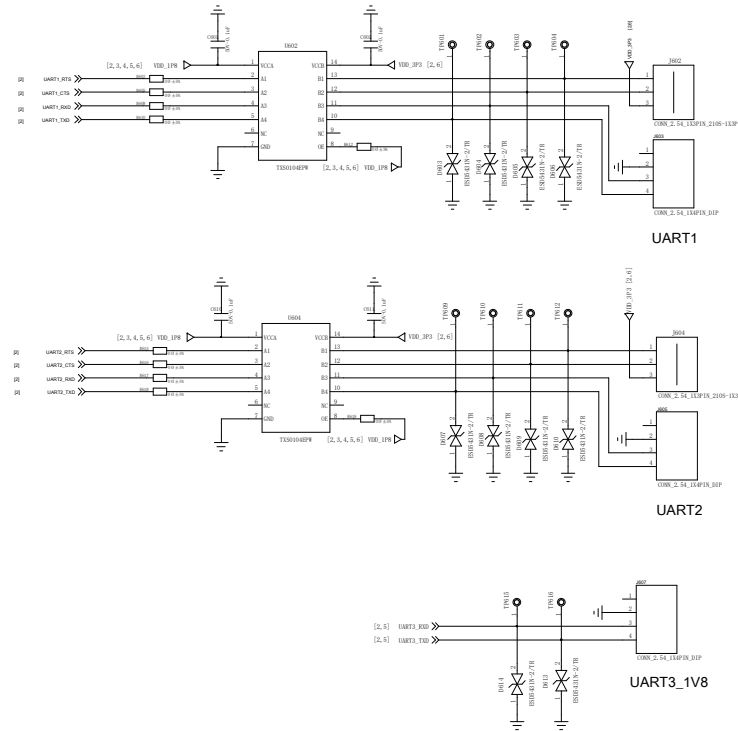
POWER



IIC/SPI_1.8V



UART



COMPANY: neoway			
TITLE: N58_Mini_EVB_SCH_V2.0			
DESIGNER: Tian Tian	DATE: 20200420	CODE:	SIZE:
CHECKED:	DATE:	DRAWING NO.:	REV.:
QUALITY CONTROL:	DATE:	D	
RELEASED:	DATE:	SCALE:	SHEET: 6 of 7

6

5

4

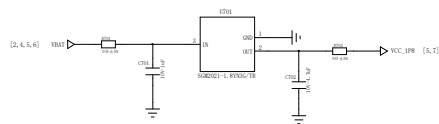
3

2

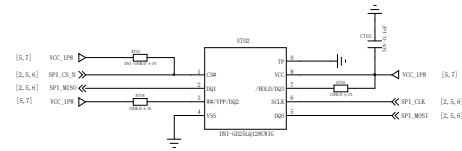
1

REVISION RECORD			
LTB	ECO NO.	APPROVED:	DATE

LDO



FLASH



PCB



COMPANY: neoway			
TITLE: N58 Mini_EVB_SCH_V2.0			
DESIGN: Tian Tian	DATE: 20200420	CODE:	SIZE:
CHECKED:	DATE:	DRAWING NO.:	REV:
QUALITY CONTROL:	DATE:	D	
RELEASED:	DATE:	SCALE:	SHEET: 7 of 7