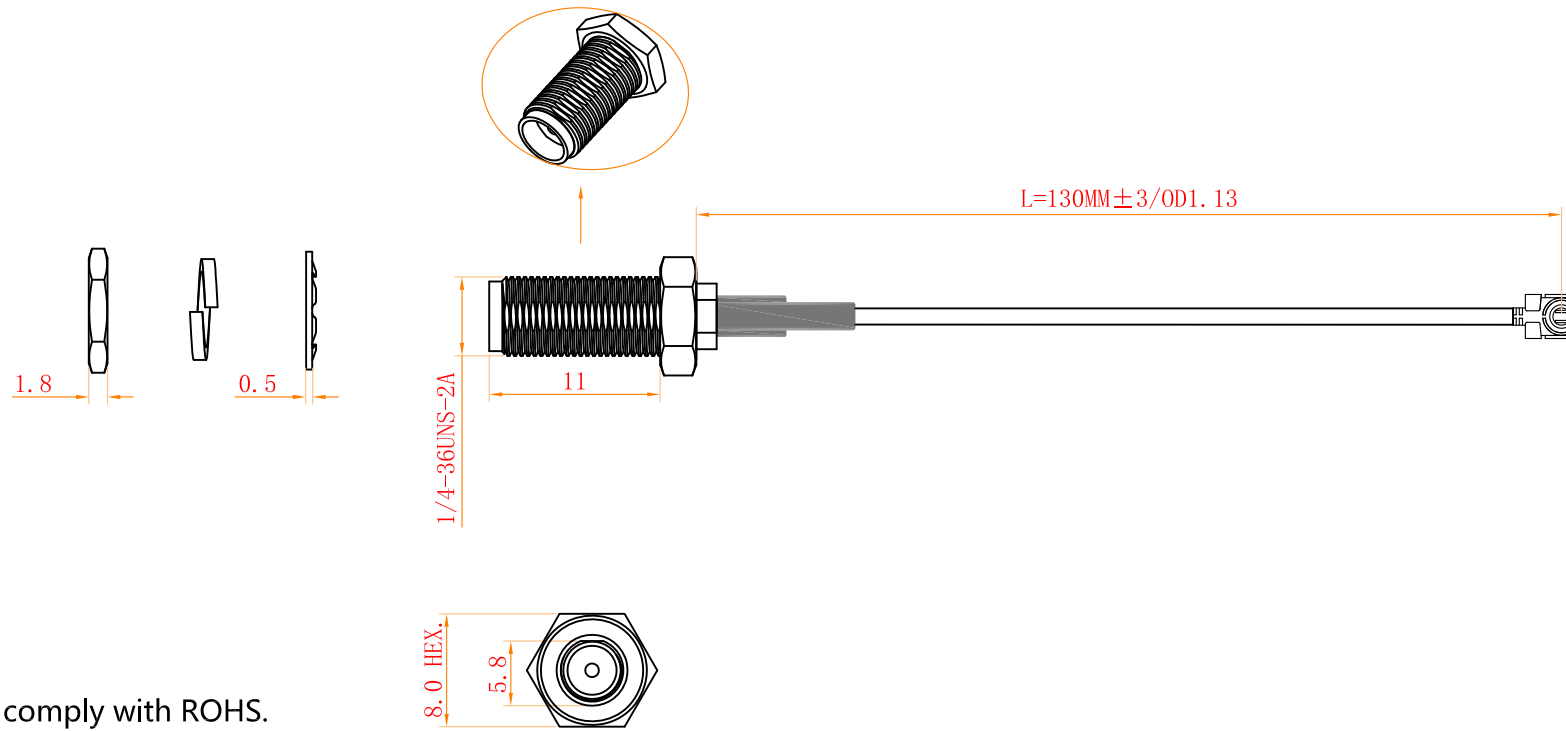


# DRAWING

Product Name  
Cable-assembly

P/N: AC-LJX-SMAF-IPEX(113/130MM)



- 1.Products comply with ROHS.
- 2.10PCS/1PE bags.
- 3.Impedance:50Ohm.
- 4.Temperature: -40°C~+70°C.
- 5.Frequency:DC-3GHz.

Techology: RoHS



佛山市三水亚创通讯有限公司  
ASIAN CREATION COMMUNICAION CO.,LTD

3					 佛山市三水亚创通讯有限公司 ASIAN CREATION COMMUNICAION CO.,LTD								
2			STANDARD	SCALE						QTY	1PCS	DR.	Z.T
1				SPEC						WET	10g	VENDER	BEN
NO.	PARTNAME	DESCRIPTION	MATERIAL	DWG NO.	AC-LJX-SMAF-IPEX/11313	REV	A	CHKD	BEN				
				SHEET	1/1	单位 UNIT	MM	投影法	DAY	2022-10-11			