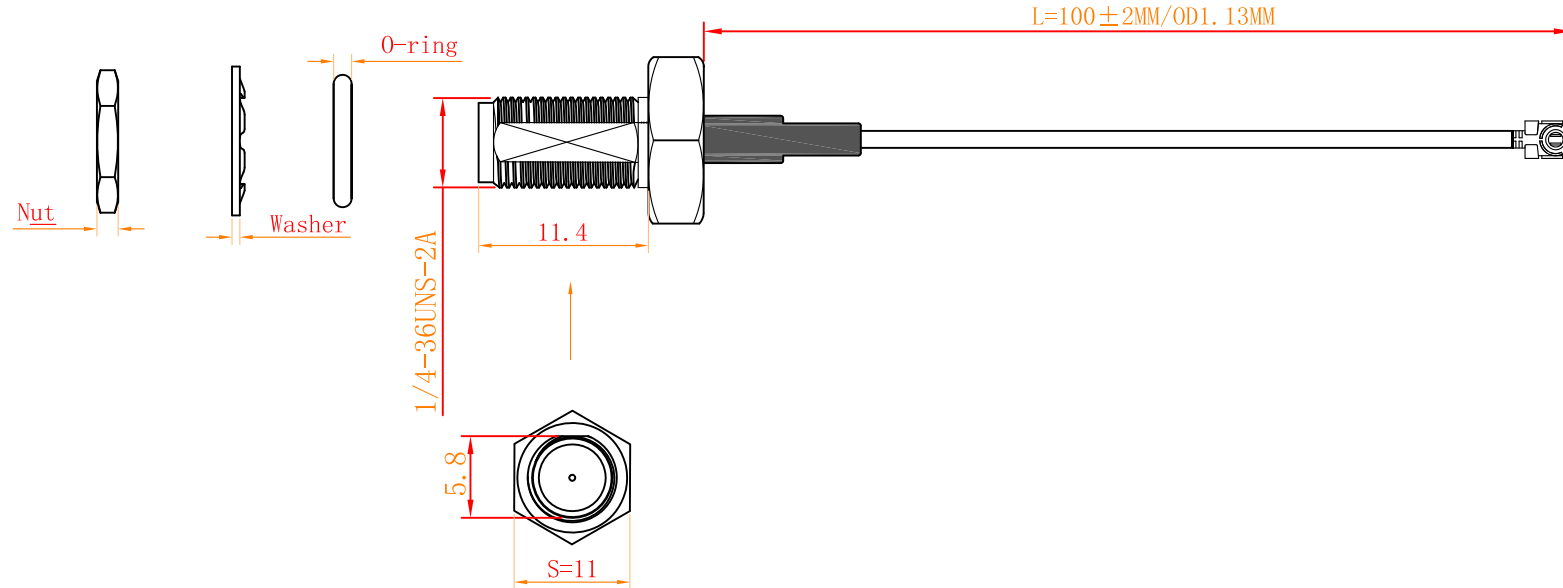


# Drawing

Product Type P/N:AC-CAB-SMAB/HF  
Pigtail cabel -IPEX(113/100MM)



- 1.Products comply with RoHS.
- 2.10PCS/1PE bags.
- 3.Impedance:50Ohm.
- 4.Temperature: -40°C~+70°C.
- 5.Frequency:DC-3GHz.

Techology: **RoHS.**



ASIAN CREATION COMMUNICATION CO.,LTD  
www.acantenna.com

3										
2			STANDARD	P/No:	AC-CAB-SMAB/HF-IPEX(113/100MM)	Qty	1PCS	DR.	GT.Z	
1				SPEC		Wet	20g	VENDER	VIVIS	
NO.	PARTNAME	DESCRIPTION	MATERIAL	DWG NO.			REV	A	CHKD	BEN
				SHEET	1/1	UNIT	MM	投影法	DAY	2022-10-27