

GSM Mobile 3M Sticker Antenna

Part No:AC-QGCM03

1. Introduction

GSM Sticker cellular band antenna delivers marked improvements in efficiency and gain across all common frequencies (824-960/1710-1880MHz) in use for cellular bands.

Self-adhesive base made the antenna fix stronger!

Small enough to be used indoors and outdoors, the antenna performance has been designed to take advantage of any metal plate (ground-plane) it attaches to deliver best of class performance.



2. Specification

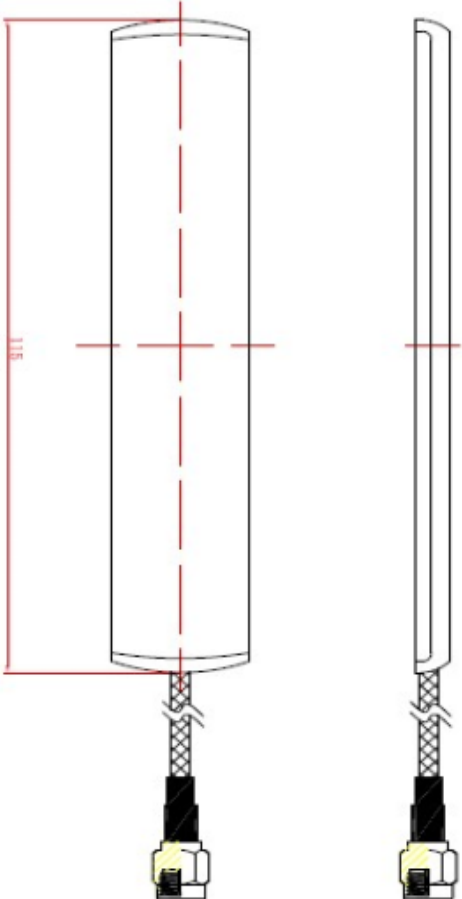












Electrical

Frequency Range	824-960/1710-1880MHz
Gain	3dBi
V.S.W.R	≤2.0
Radiation	Omni-Direction
Polarization	Vertical
Maximum Input Power	50W
Impedance	50Ω
Connector	SMA Male
Cable Type	RG174
Cable Length	3M
Antenna Radome Material	ABS
Mounting way	Self Adhesive

Mechanical

Dimensions	22x115mm
Weight	45g
Operating Temperature	-40°C to+70°C
RoHS Compliant	YES

3.Drawing

DRAWING										Product Type		P/N:AC-QGC-M03					
技术要求: 要求此产品干净无杂质 全ROHS制程																	
 ASIAN CREATION COMMUNICATION CO.,LTD www.acantenna.com										数量		1PCS		绘图DR.		P.J	
 ASIAN CREATION COMMUNICATION CO.,LTD www.acantenna.com										重量		40g		审核VENDER		BEN	
 ASIAN CREATION COMMUNICATION CO.,LTD www.acantenna.com										版本 REV		A		校对CHKD		PLY	
 ASIAN CREATION COMMUNICATION CO.,LTD www.acantenna.com										投影法		MM		日期 DAY		2014/12/22	
 ASIAN CREATION COMMUNICATION CO.,LTD www.acantenna.com										图号 DWG NO.		AC-QGC-M03-SMA		日期 DAY		2014/12/22	
 ASIAN CREATION COMMUNICATION CO.,LTD www.acantenna.com										比例 SCALE		1/1		日期 DAY		2014/12/22	
 ASIAN CREATION COMMUNICATION CO.,LTD www.acantenna.com										规格 SPEC		MM		日期 DAY		2014/12/22	
 ASIAN CREATION COMMUNICATION CO.,LTD www.acantenna.com										物料名称 PARTNAME		AC-QGC-M03-SMA		日期 DAY		2014/12/22	
 ASIAN CREATION COMMUNICATION CO.,LTD www.acantenna.com										规格说明 DESCRIPTION		AC-QGC-M03-SMA		日期 DAY		2014/12/22	
 ASIAN CREATION COMMUNICATION CO.,LTD www.acantenna.com										材料 MATERIAL		AC-QGC-M03-SMA		日期 DAY		2014/12/22	
 ASIAN CREATION COMMUNICATION CO.,LTD www.acantenna.com										标准颜色 STANDARD		AC-QGC-M03-SMA		日期 DAY		2014/12/22	
 ASIAN CREATION COMMUNICATION CO.,LTD www.acantenna.com										序号 NO.		AC-QGC-M03-SMA		日期 DAY		2014/12/22	

4.V.S.W.R

