

865-868MHz RFID M2M Antenna External With SMA Connector

Part No:AC-Q868-DH

1. Introduction

The multi band antenna can be mounted on roof of the vehicle or on electrical cabinet (e.g. vending machine, passenger information system)

This antenna with high performance for worldwide use. It provides 865-868MHz Housed in a rugged low profile ABS resistant, this antenna is compact and resistant to Vandalism.

Screw Fixing and connector can be customized.

It is vertically polarized with an omnidirectional radiation pattern.

These antennas are mounted directly onto the RFID product and are intended for demonstration use or short range communications.



2. Specification

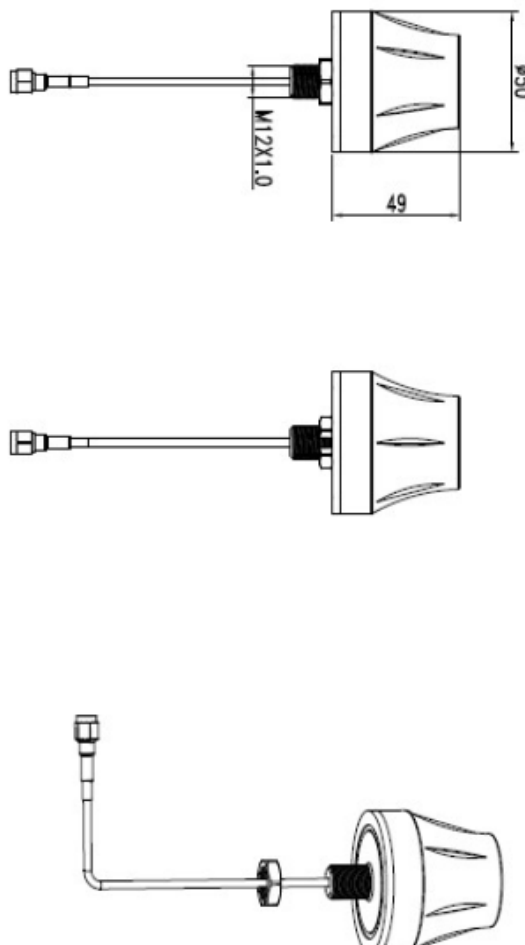

Electrical

Frequency Range	865-868MHz
Band width	3MHz
Gain	5dBi
V.S.W.R	≤2.5
Radiation	Omni-Direction
Polarization	Vertical
Maximum Input Power	50W
Impedance	50Ω
Connector	SMA Male
Cable Type	RG174
Cable Length	3M
Antenna Radome Material	ABS

Mechanical

Dimensions	Φ50×49mm
Weight	80g
Operating Temperature	-40°C to+70°C
RoHS Compliant	YES

3.Drawing

Drawing									
Product Type Terminal Ant									
P/N:AC-DH									
									
Technology: RoHS					 佛山市三水亚创通讯有限公司 ASIAN CREATION COMMUNICATION CO.,LTD				
3									
2	STANDARD	P/No:	AC--DH	Qty	1PCS	DR	GTZ		
1		SPEC		Wei	100g	VENDER	CHER		
NO.	PARTNAME	DESCRIPTION	MATERIAL	DWG NO.	REV	A	CHKD	BEN	
				SHEET	1/1	UNIT	MM	投影法	DAY
									2019-1-17

4.V.S.W.R

