

Typical Features

- ◆ Fixed input voltage, Isolated & unregulated output, Output power 3W
- ◆ High Efficiency up to 86%
- ◆ Small compact SIP packing
- ◆ No external component required
- ◆ Isolation Voltage 1500VDC
- ◆ Operating Temperature: -40°C~+85°C
- ◆ Plastic Case, meet UL94 V-0 standard



Test Condition: Unless otherwise specified, data in the datasheet should be tested under the conditions of inputting nominal voltage, pure resistance rated load and Ta=25°C.

Application Field

It could be widely used for instrument, communication, pure digital circuit, general low frequency analog circuit, relay drive circuit, data exchange circuit, etc.

Typical Product List

Model	Input Voltage Range (VDC)		Output Voltage/ Current (Vo/Io)		Input Current(mA) Nominal Voltage		Max. Capacitive Load uF	Ripple & Noise (Max.) mVp-p	Efficiency (%)full load, input nominal voltage	
	Nominal	Range	Voltage (VDC)	Current(mA) MAX./Min.	Full load Typ.	No Load Typ.			Min.	Typ.
NN3-05S05CN	5	4.5-5.5	5	600/60	685	8	2000	100	82	84
NN3-05S09CN			9	333/34	694	15	2000	100	81	83
NN3-05S12CN			12	250/25	682	15	2000	150	83	85
NN3-05S24CN			24	125/13	670	15	560	150	82	84
NN3-12S05CN	12	10.8	5	600/60	295	12	2000	100	80	82
NN3-12S12CN		- 13.2	12	250/25	290	12	2000	100	84	86

Note: In order to ensure the converter can work reliably with high efficiency, the minimum load should not less than 10% rated load when it is used. If the needed power is indeed small, please parallel a resistor at the output side, the resistance recommended equal to 10% nominal power.

Input Specifications

Item	Working Conditions	Min.	Typ.	Max.	Unit
Input Overshoot Voltage (1 Sec. max.)	5Vdc Input	-0.7	--	9	VDC
	12Vdc Input	-0.7	--	18	
Input Filter	Capacitor Filter				

Output Specifications

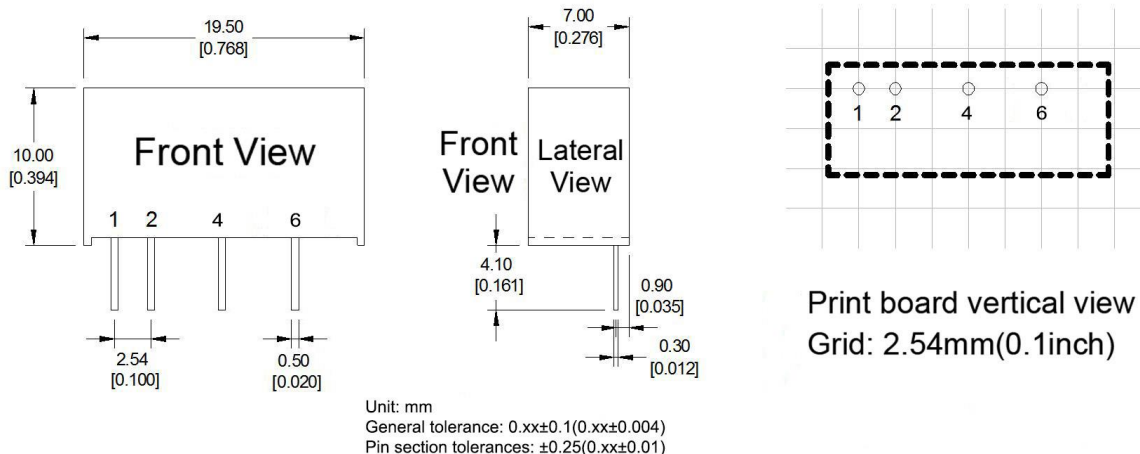
Item	Working Conditions	Min.	Typ.	Max.	Unit	
Output Power		0.3	--	3	W	
Output Voltage Accuracy	Nominal input, Full load	--	±2	±5	%	
Load Regulation	10% ~ 100% nominal load	3.3Vdc output	--	--		20
		Other output	--	--		15
Line Regulation	Input Voltage Change±1%	3.3Vdc output	--	--		±1.5
		Other output	--	--	±1.2	
Ripple & Noise①	Nominal input, full load, 20MHZ bandwidth	--	80	150	mVp-p	
Temperature Drift Coefficient	100% Full Load	--	--	±0.03	%/°C	
Output Short Circuit Protection	Continuous, self-recovery					

NOTE:①Ripple & Noise tested by twisted-pair method;

General Specifications

Switching Frequency	Typical	260KHz (Typ.)
Operating Temperature	Refer to Temperature Derating Curve	-40°C ~ +85°C
Storage Temperature		-55°C ~ +125°C
Shell temperature rise during work	Within Temperature Derating Curve	25°C(Typ.)
Relative Humidity	No condensing	5%~95%
Case Material		Black flame-retardant heat-resistant Plastic(UL94 V-0)
Product Weight		3g (Typ.)
Isolation Voltage	Test 1 minute, leakage current < 0.5mA	1500Vdc
Isolation Capacitor	Input/Output, 100KHz/0.1V	20 pF (Typ.)
MTBF	MIL-HDBK-217F@25°C	35X10 ⁵ Hrs

Packing Dimension



Packing Code	L x W x H	
C	19.50x7.00 x 10.00mm	0.768 x 0.276 x 0.394inch

Pin Function

Pin Function	1	2	3	4	5	6
Single (S)	+Vin	GND	NP	-Vo	NP	+Vo

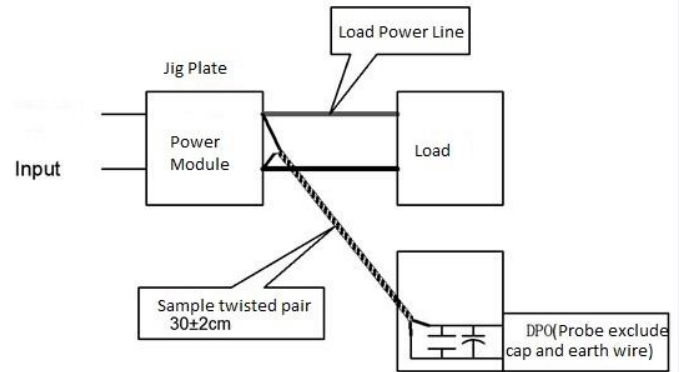
Note: if the definition of pin is not in accordance with the model selection manual, please refer to the label on actual item.

Ripple & Noise Test: (Twisted Pair Method 20MHZ bandwidth)

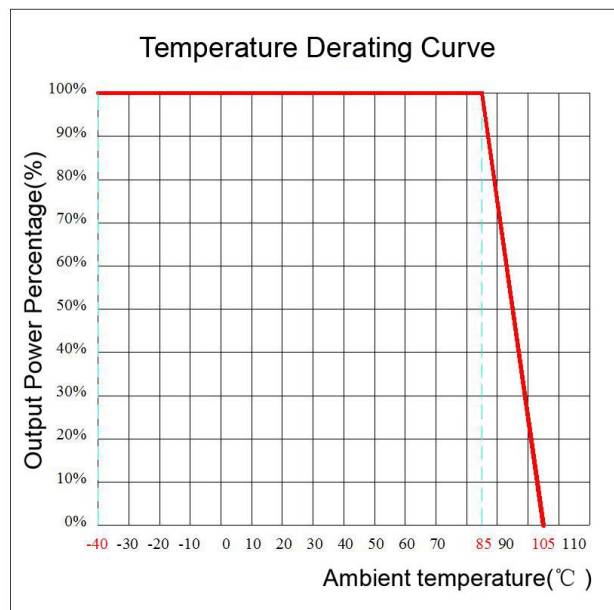
Test Method:

a. 12# twisted pair to connect, Oscilloscope bandwidth set as 20MHz, 100M bandwidth probe, terminated with 0.1uF polypropylene capacitor and 10uF high frequency low resistance electrolytic capacitor in parallel, oscilloscope set as Sample pattern.

b. Input terminal connect to power supply, output terminal connect to electronic load through jig plate, Use 30cm±2 cm sampling line, Power line selected from corresponding diameter wire with insulation according to the flow of output current.



Temperature Curve



Design and Application Circuit Recommended

1. Output load requirements

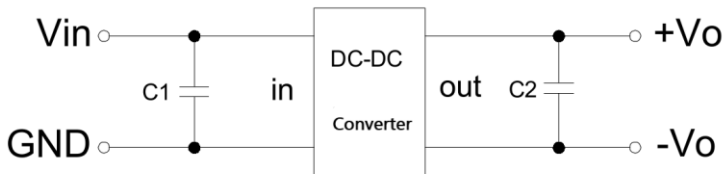
- a. In order to ensure the converter can work reliably with high efficiency, the minimum load should not less than 10% rated load when it is used. If the needed power is indeed small, please parallel a resistor at the output side, the resistance equal to 10% nominal load.
- b. The maximum capacitive load is tested under nominal input full load, and cannot exceed the maximum capacitive load of output terminal under operation, otherwise it will cause it difficult to start up and damage the product.

2. Recommended circuit

In order to ensure the input/output ripple and noise decreased, capacitor filter net could be connected to input and output terminal, application circuit as below photo 1; choosing suitable filter capacitor is very important, start-up problems may be caused by too large capacitance. To ensure the modules running safely and reliably, the recommended capacitive load values as shown in Table 1. (But for the actual output power of application circuit is less than 0.5W, suggest not to connect external capacitor)

Recommended Capacitive Load Value (Table 1)

Vin (Vdc)	C1 (μF)	Vout (Vdc)	C2 (μF)
3.3/5	4.7	3.3/5	10
12	2.2	9	4.7
15	1	12	2.2
24	1	15	1
--	--	24	0.47



3. Output regulated voltage and over voltage protection circuit

The simplest device to protect output regulated voltage, over voltage and over current is to cascade a linear regulator with overheat protection at input or output terminal, and connect a capacitor filter net (see below picture), filter capacitive value recommended see table 1, Linear regulator is chosen according to the actual voltage, current needed in working, or choose our NW series products.

Single Output



- Note:
- 1. This product cannot be used in parallel, and do not support hot-plugging;
 - 2. If the product works below the minimum required load, it cannot guarantee that the product performance meets all performance indicators in this manual;
 - 3. All index testing methods in this datasheet are based on our Company's corporate standards
 - 4. The product specification may be changed at any time without prior notice.